



PUMPS AUSTRALIA

BETTER • FASTER • EASIER



JET PRESSURE PUMP

TECHNICAL DATA

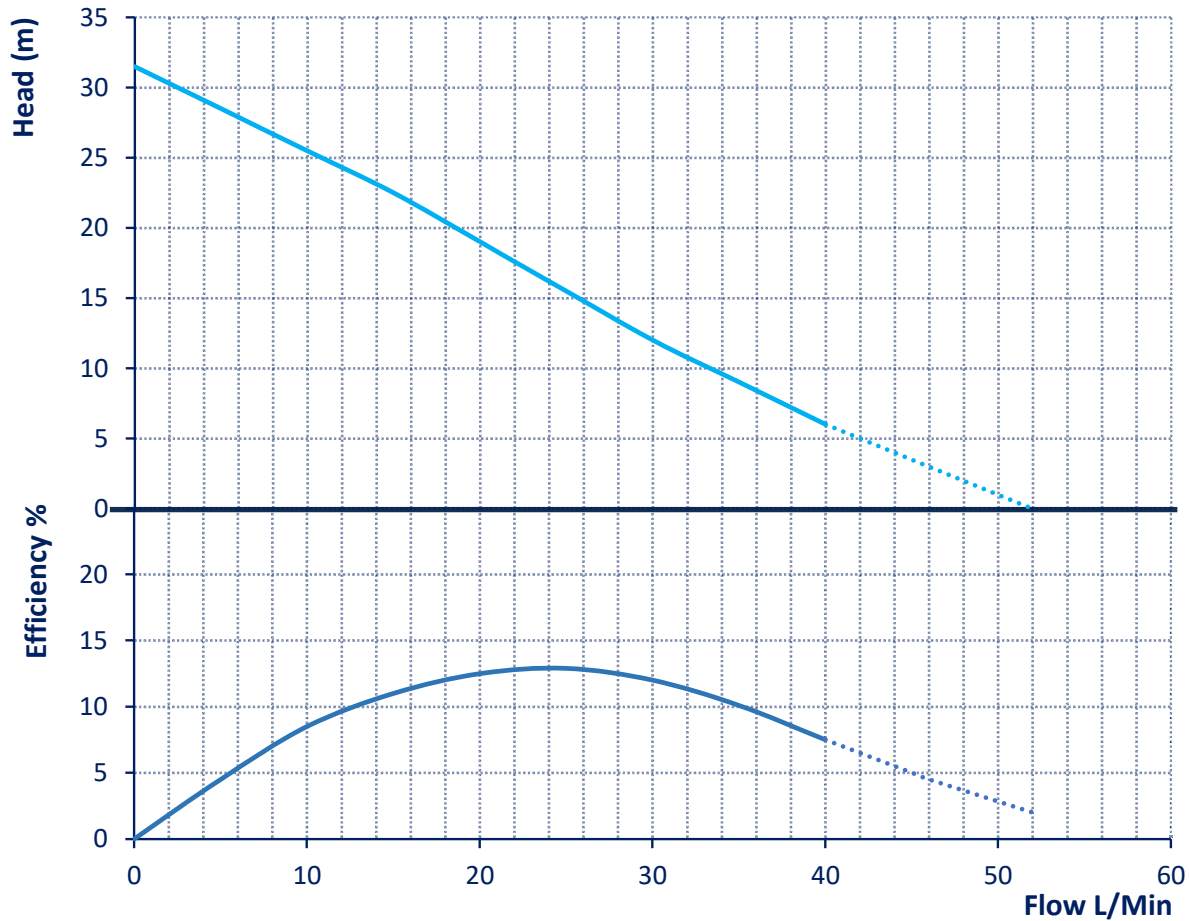
MODEL: PRJ55E
CODE: 20555

MAX HEAD 31.5M
MAX FLOW 52L/Min
MOTOR POWER 500W
DISCHARGE SIZE 25MM, 1"



CHARACTERISTIC CURVE & PERFORMANCE DATA

JET PRESSURE PUMP PRJ55E



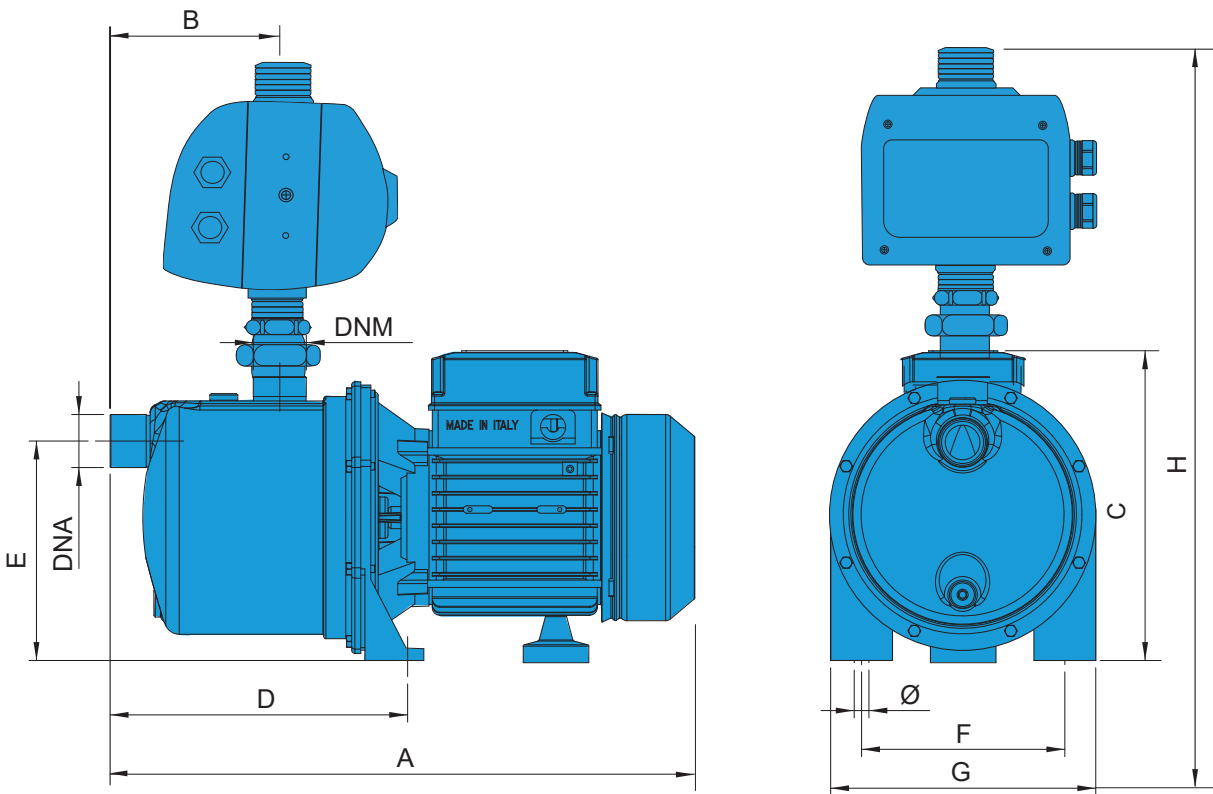
TYPE	Nominal Power (P2)		Input Power (P1)	Capacitor	Input Current
	W	HP			
Single Phase	W	HP	Watt	µF	240V
PRJ55E	370	0.7	510	10	2.2A

L/MIN	0	10	20	30	40	50
HEAD (M)	31.5	25.5	19	12	6	1
EFFICIENCY%	0	8.5	12.5	12	7.5	3
SHAFT POWER P2 (KW)	0.296	0.304	0.308	0.306	0.299	0.294

NOTE: Efficiency Percentage (%) refers to the percentage of power consumed by the motor during operation. This calculation is taken from the P1 Power.

Ascento Group reserves the right to make changes without prior notice

DIMENSIONS & WEIGHT



JET PRESSURE PUMP PRJ55E

MODEL	DIMENSIONS (MM)										PACKING (MM)			WEIGHT (KG)	
	A	B	C	D	E	F	G	H	Ø	DNA	DNM	L	W		H
PRJ55E	320	70	200	160	135	130	180	350	10	1"	1"	250	190	350	5.2

Ascento Group reserves the right to make changes without prior notice